



KONICA MINOLTA

bizhub PRO 951

- ✓ B/W SRA3+ digital press
- ✓ Up to 5,700 pages per hour

The bizhub PRO 951 is an affordable but powerful production system with a speed of 95 A4 pages per minute dedicated to central in-house printing facilities and external print-for-pay services. In this device, a sturdy construction, high performance and numerous inline finishing options team up with advanced technology for enhanced black & white print quality. With this combination, the bizhub PRO 951 has all the answers for the varied requirements of production printing environments.



YOUR ADVANTAGES WITH bizhub PRO 951

DURABLE PERFORMANCE

- Up to 95 A4 pages per minute
- Up to 52 SRA3 pages per minute
- Up to 5,700 A4 pages per hour
- Up to 3,120 SRA3 pages per hour

HIGHEST RELIABILITY

- Long-life platform, long-lasting parts and consumables
- Accurate duplex registration
- Belt transfer system
- For prints with maximum efficiency
- For lucrative short-run printing

READY-MADE PRINT PRODUCTS

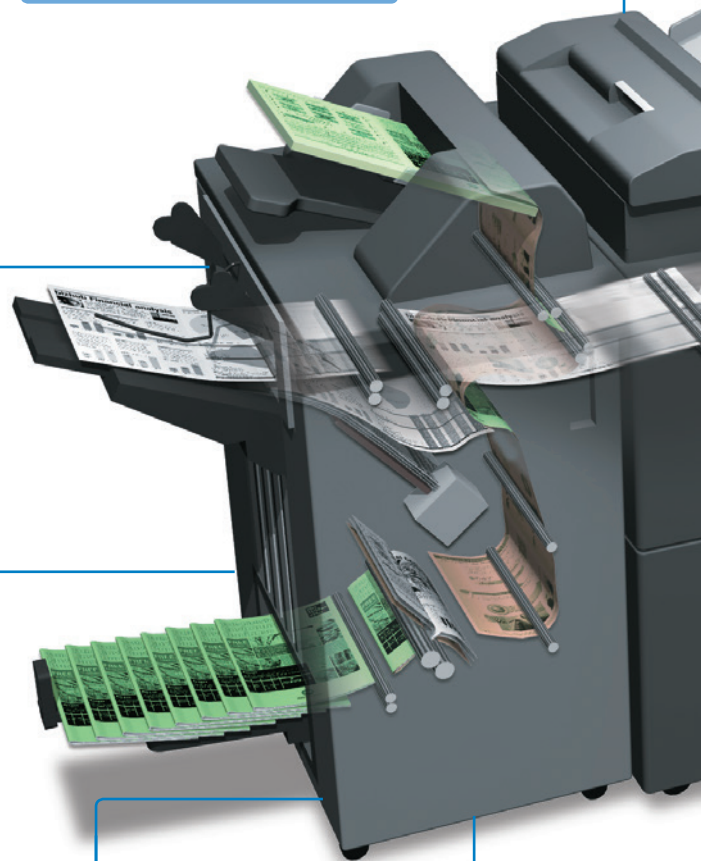
- 20-sheet booklet making
- 100-sheet stapling with cutting mechanism
- 102-sheet auto ring binding
- For highest automation and enormous productivity
- For more profit in the printroom

GEARED-UP FINISHING

- Letter fold-in
- Stacking of up to 4,200 sheets
- Multi (GBC) punching and 2- & 4-hole punching
- Minimised human interaction
- For optimised budgets

ENVIRONMENTAL AWARENESS

- Green procurement policy
- Reduced CO₂ emissions
- ISO 14001-certified
- For reduced environmental impact
- Improved efficiency based on green values



HIGH-END PRINT CONTROL

- Proprietary Konica Minolta controller
- Integration into Fiery workflows via Fiery Central Solo
- For intuitive operation
- Saves time and money



EASE OF USE

- Simple paper catalogue settings
- Easy-to-follow on-screen instructions
- For maximum ease of operation
- Frees operators for more important jobs

SOPHISTICATED MEDIA HANDLING

- Air-assist feeding technology
- Up to 9,000-sheet paper input capacity
- Up to 5 paper input trays
- For enhanced overall productivity
- For extreme cost savings



COMPREHENSIVE MEDIA PROCESSING

- Up to 300 gsm paper weight in simplex & duplex printing
- Reliable thin paper feeding through air blow fusing separation
- Mechanical decurling as standard
- For highly flexible print products
- Stands out from the competition

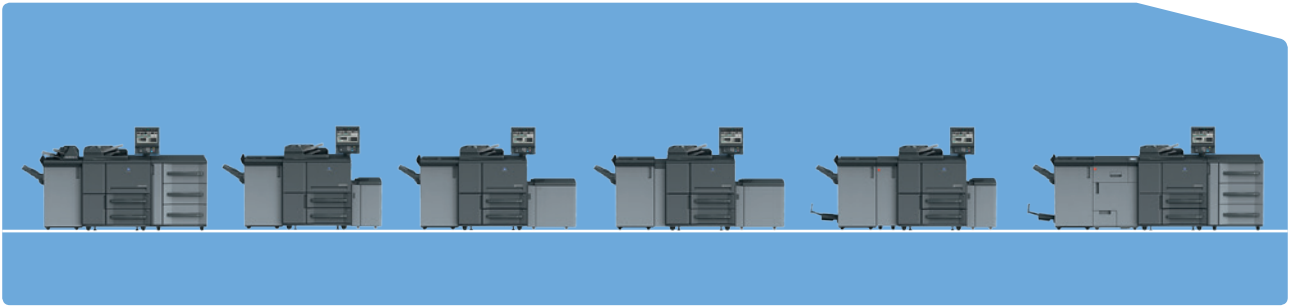
PERFECT IMAGE QUALITY

- 1,200 x 1,200 dpi resolution
- Tone Curve Utility
- Simitri® HD toner technology
- Image density control technology
- For new print applications
- For growing your business



Simitri HD
High Definition Polymerised Toner

Recommended configurations



Technical specifications

SYSTEM SPECIFICATIONS

Resolution	1,200 x 1,200 dpi
Paper weight	40–300 gsm (350 gsm optional*)
Duplex unit	Non-stack type; 40–300 gsm
Paper sizes	Standard: Min.: 182 x 139 mm Max.: 324 x 463 mm Optional: Min.: 95 x 139 mm* Max.: 324 x 483 mm**
Maximum image area	314 x 463 mm (up to 483 mm** optional)
Paper input capacity	Standard: 3,000 sheets Max.: 9,000 sheets
Paper output capacity	Max.: 4,200 sheets
Main unit dimensions (W x D x H)	990 x 910 x 1,454 mm
Main unit weight	372 kg

PRODUCTIVITY

A4 - max. per minute	95 ppm
A3 - max. per minute	55 ppm
SRA3 - max. per minute	52 ppm
A4 - Max. per hour	5,700 pph
A3 - Max. per hour	3,300 pph
SRA3 - Max. per hour	3,120 pph

CONTROLLER

Embedded Konica Minolta controller

- All specifications refer to A4-size paper of 80 gsm quality.
- The support and availability of the listed specifications and functionalities varies depending on operating systems, applications and network protocols as well as network and system configurations.
- The stated life expectancy of each consumable is based on specific operating conditions such as page coverage for a particular page size (5% coverage of A4).
- The actual life of each consumable will vary depending on use and other printing variables including page coverage, page size, media type, continuous or intermittent printing, ambient temperature and humidity.
- Some of the product illustrations contain optional accessories.
- Specifications and accessories are based on the information available at the time of printing and are subject to change without notice.
- Konica Minolta does not warrant that any prices or specifications mentioned will be error-free.
- All brand and product names may be registered trademarks or trademarks of their respective holders and are hereby acknowledged.

SCANNER SPECIFICATIONS

Scan speed A4	Up to 95 opm
Scan resolution	1,200 x 1,200 dpi
Scan modes	TWAIN scan; Scan-to-HDD; Scan-to-FTP; Scan-to-SMB; Scan-to-eMail
Scan formats	PDF; TIFF; secured PDF; XPS

COPIER SPECIFICATIONS

Gradations	256 gradations
FCOT	Less than 3.4 sec. (A4 LEF)
Magnification	25–400%, in 0,1% steps
Multiple copies	1–9,999

ACCESSORIES

Large capacity tray A4	LU-409
Large capacity tray SRA3	LU-410
Air assist paper feed unit	PF-706
Multi (GBC) punching unit	GP-501
Auto ring binding unit	GP-502
Stapling unit	FS-532
Saddle stitch kit for FS-532	SD-510
Punch kit for FS-532	PK-522
Post inserter for FS-532	PI-502
Removable HDD Kit	RH-101 & HD-511

* With PF-706 ** With LU-410